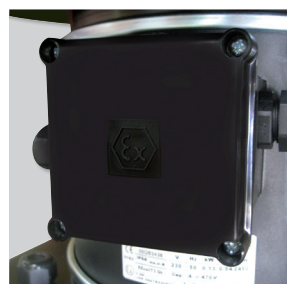




Range of roof mounted mixed flow fans, specially designed for the extraction of potentially hazardous and explosive gases, manufactured from sheet steel protected with black polyester paint coating (except TH-800/200 manufactured from plastic to prevent retention of static electricity, base and cap manufactured from sheet steel protected with black polyester paint coating). Bird-proof guard. Detachable fan unit without demounting duct connections.

TH ATEX motors

- Single Phase 230V 50 Hz
 - IP44 Class B
 - ATEX Increased safety-Gas
 - For models 250 and 315.
 - ⊕ IIG Exe IIC T3 Gb
 - EC: LOM 11 ATEX 2021 X Supplement 1
 - For model 800
 - ⊕ IIG Exe IIC T3 Gb
 - EC: LOM 08 ATEX 2052 X Supplement 2
- See data for selection or refer to Easyvent



IP55, external terminal box
External terminal box, easy access, IP55, fireproof plastic V0.



ATEX capacitor.

Specific applications



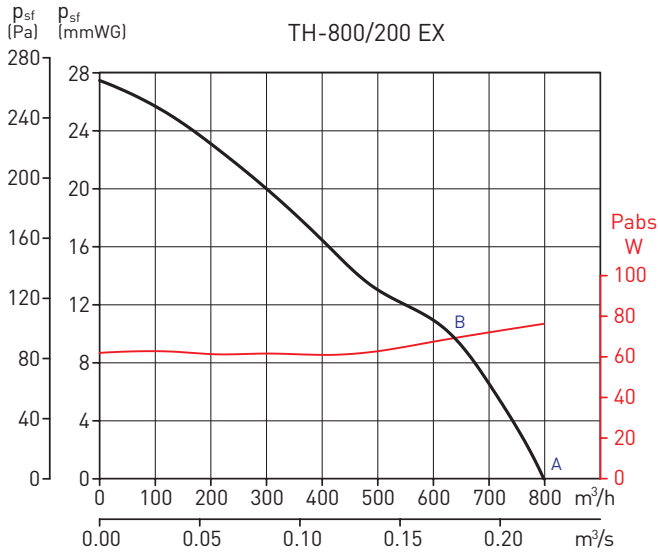
TECHNICAL CHARACTERISTICS

Model	Speed (rpm)	Maximum absorbed power (W)	Maximum absorbed current (A)	Maximum airflow (m³/h)	Working temperature (°C)	Sound pressure level* [dB(A)]		Weight (kg)
						Inlet	Outlet	
TH-800/200 EX	2450	120	0,50	800	-20/+40	58	59	8
TH-1100/250 EX	2630	197	0,85	965	-20/+40	55	63	22
TH-1200/315 EX	2600	170	0,74	1150	-20/+40	52	56	28

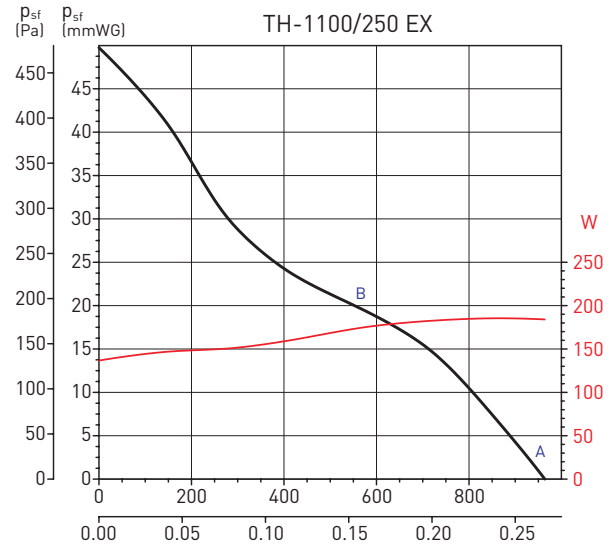
* Sound pressure level, measured at 3 m in free field conditions, at point "A" of the performance curve.

PERFORMANCE CURVES

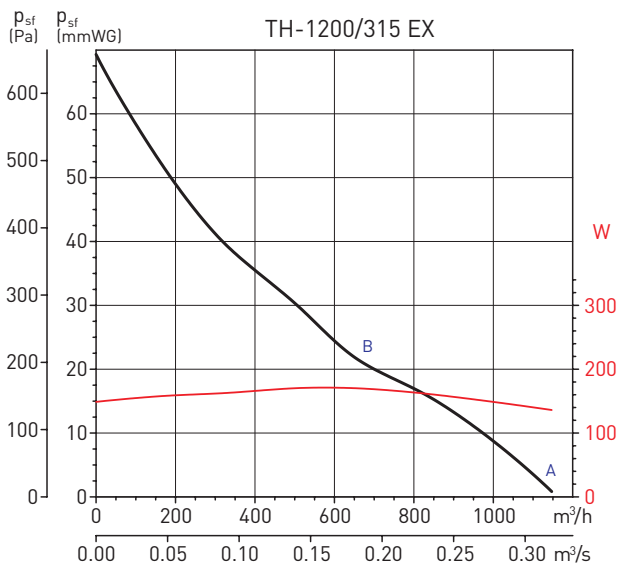
- q_v : Airflow in m^3/h and m^3/s .
- p_{sf} : Static pressure in mmWG and Pa.
- Dry air at 20°C and 760 mmHg.
- Performance data in accordance with ISO 5801 and AMCA 210-99 Standards.
- LwA: Sound power level measured at inlet and outlet in dB(A).



TH-800/200 EX		63	125	250	500	1.000	2.000	4.000	8.000	LwA
Inlet	A	19	44	64	73	75	70	65	57	78
	B	25	53	67	75	76	71	64	55	80
Outlet	A	42	51	64	76	75	72	66	57	80
	B	39	56	69	80	78	72	64	55	83

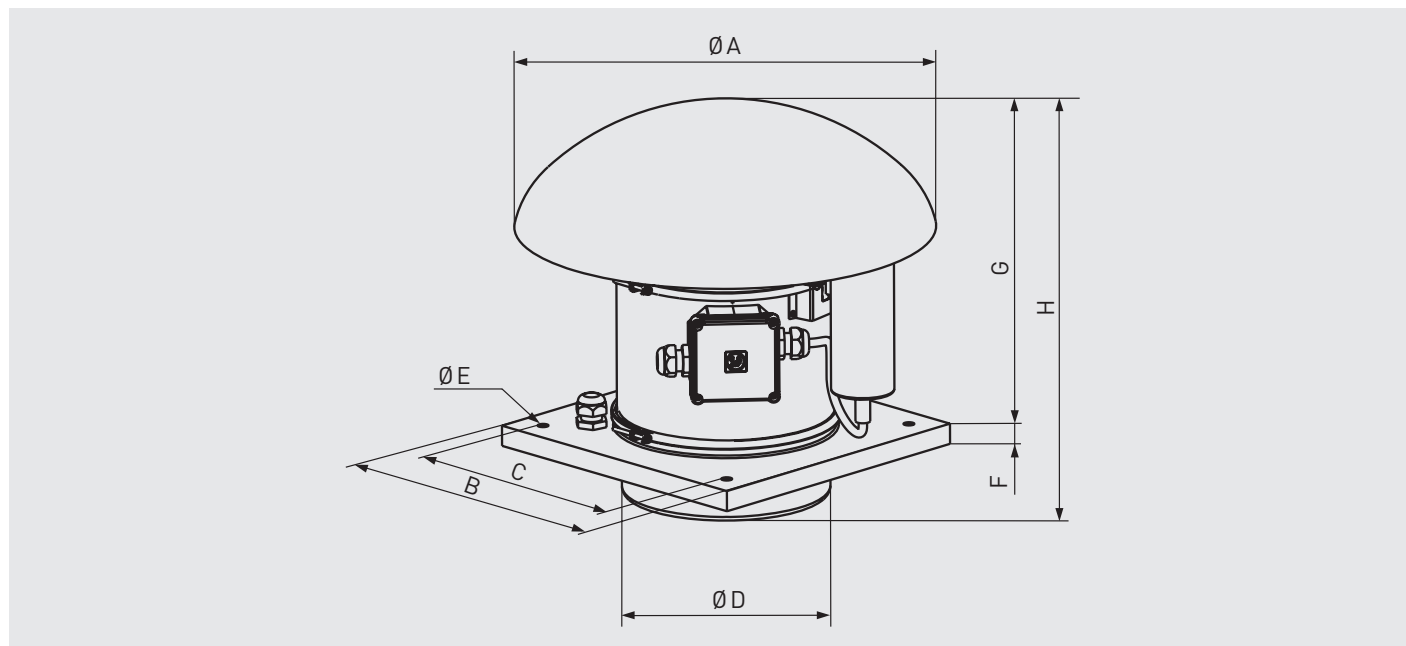


TH-1100/250 EX		63	125	250	500	1.000	2.000	4.000	8.000	LwA
Inlet	A	40	51	64	68	69	72	63	57	75
	B	39	53	68	69	67	68	62	54	74
Outlet	A	54	55	68	78	80	78	67	58	84
	B	39	53	69	75	76	74	66	57	80



TH-1200/315 EX		63	125	250	500	1.000	2.000	4.000	8.000	LwA
Inlet	A	29	45	61	62	68	68	62	56	72
	B	39	49	70	66	68	69	62	56	75
Outlet	A	42	52	66	70	74	66	64	56	77
	B	38	44	74	72	72	72	65	56	79

DIMENSIONS (mm)

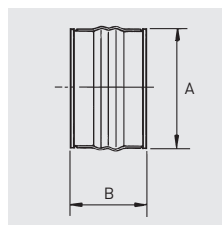


Model	A	B	C	D	E	F	G	H
TH-800/200 EX	400	300	245	197,5	10,5	20	312	377
TH-1100/250 EX	546	435	330	248	12	20	372	457
TH-1200/315 EX	735	560	450	312	12	20	450	544

SPECIFIC ACCESSORY



ACOPEL EX N
Explosion proof
flexible connection.



Model	Model connection	ØA	B
TH-800/200 EX	ACOPEL EX-200/160 N	200	160
TH-1100/250 EX	ACOPEL EX-250/160 N	250	160
TH-1200/315 EX	ACOPEL EX-315/160 N	315	160

For more information see mounting accessories.